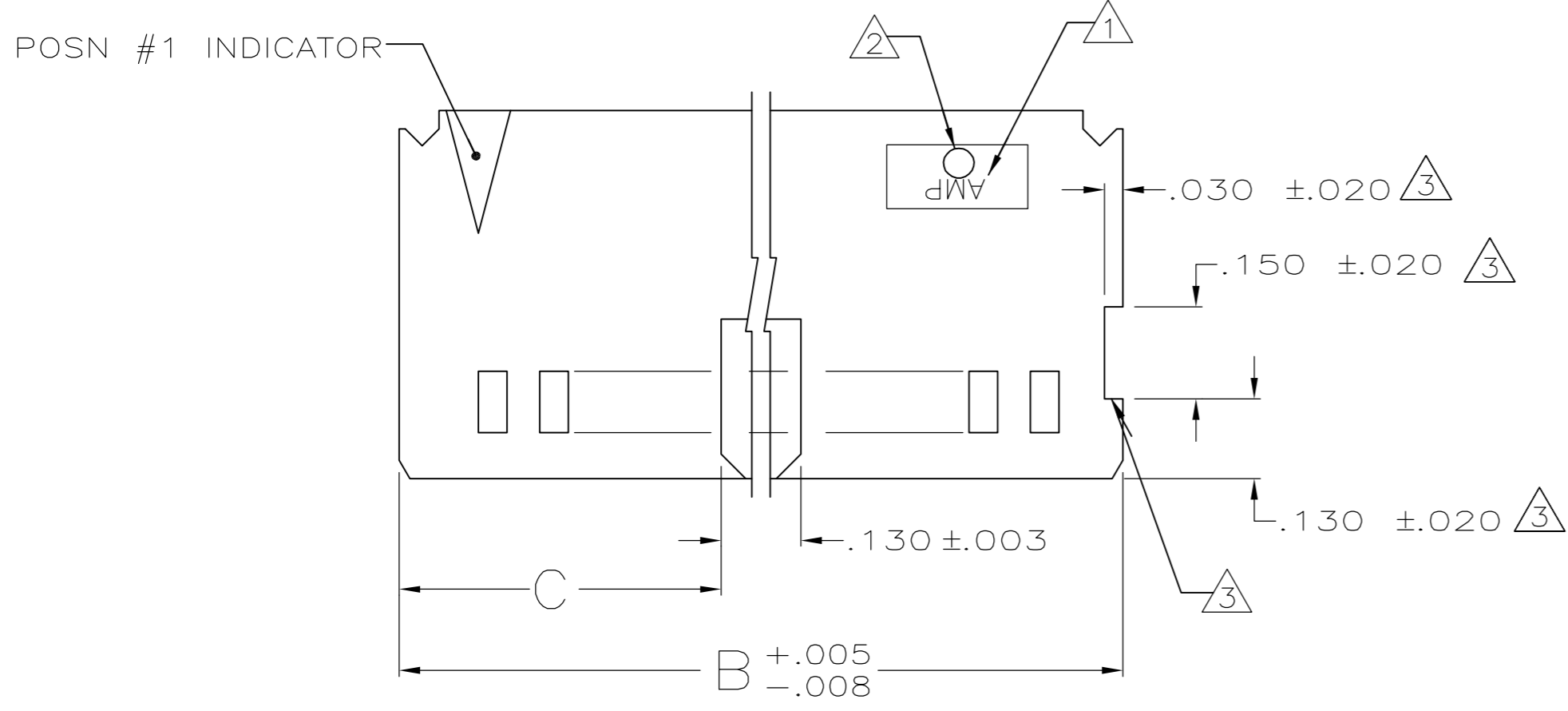
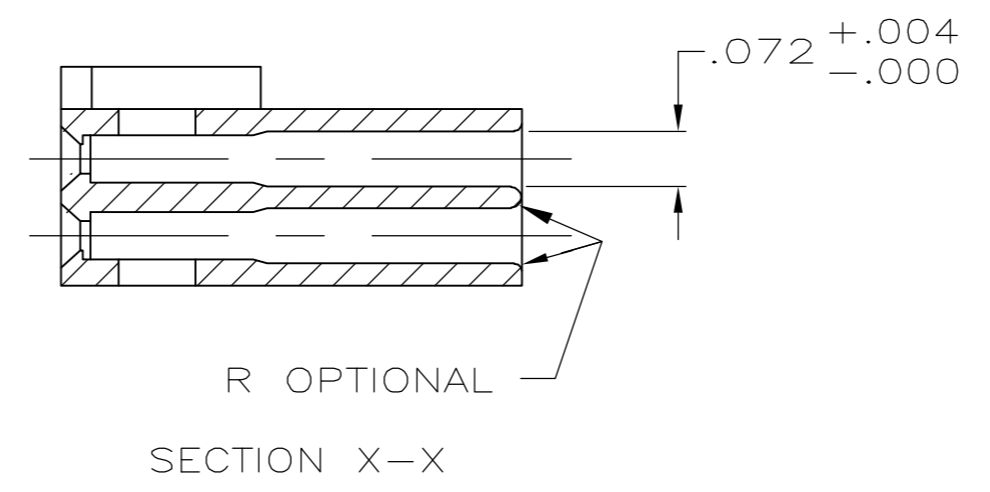
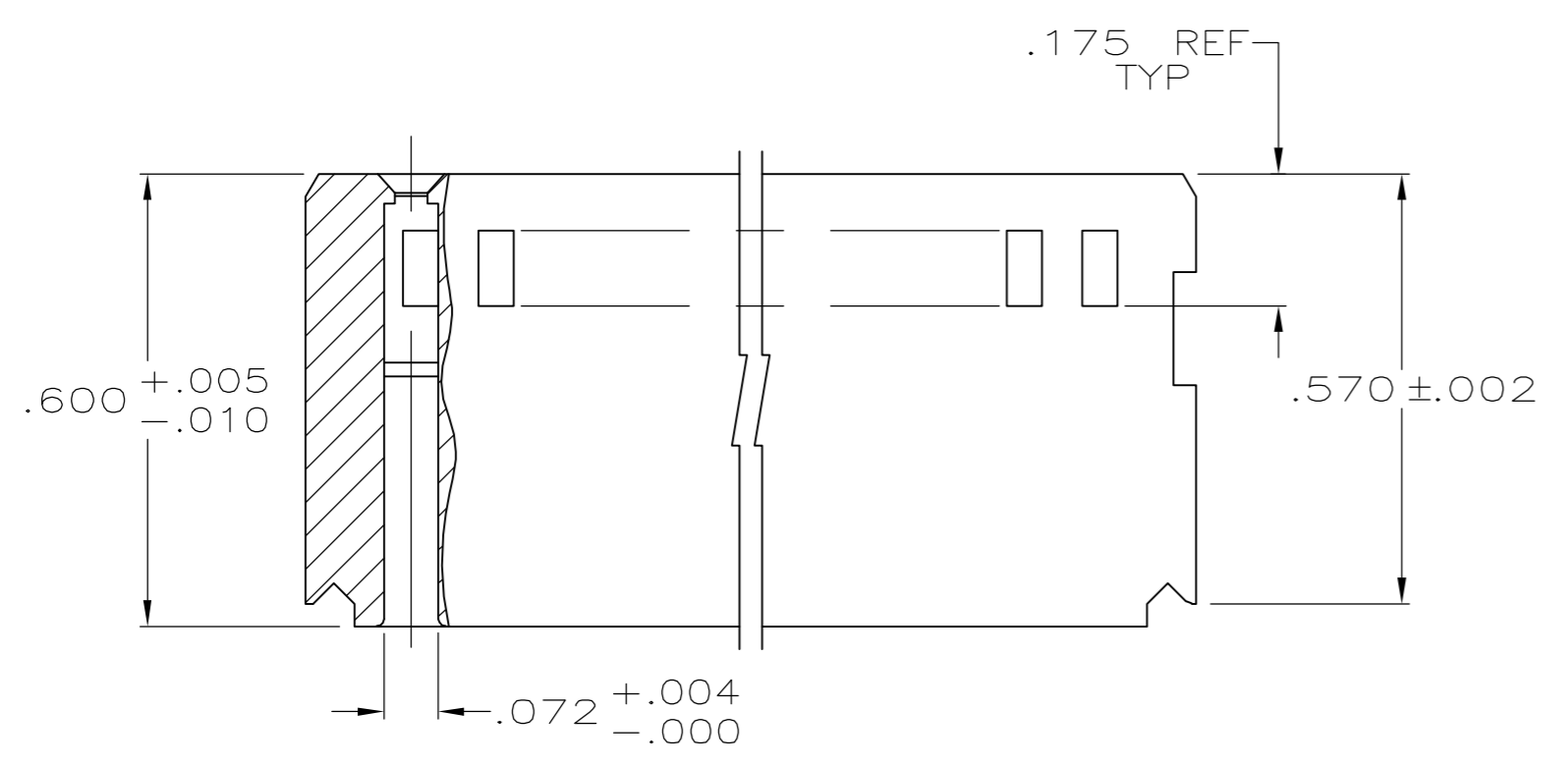
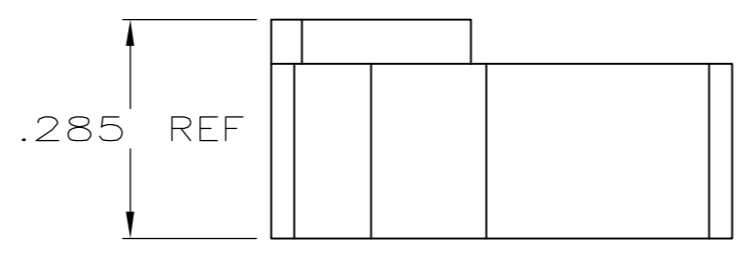
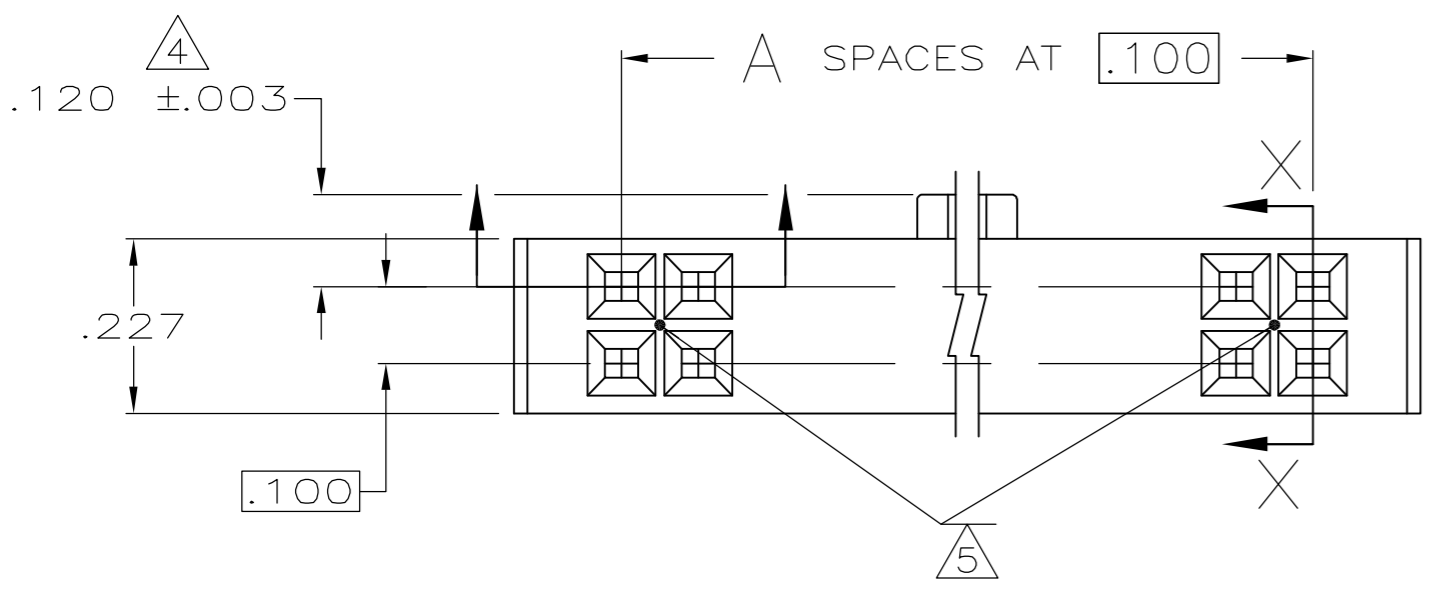


THIS DRAWING IS UNPUBLISHED. RELEASED FOR PUBLICATION
 © COPYRIGHT BY TYCO ELECTRONICS CORPORATION. ALL RIGHTS RESERVED.

LOC		DIST		REVISIONS			
P	LTR	DESCRIPTION	DATE	DWN	APVD		
AD	39	R2	ECO-07-002866	09FEB2007	RB	DR	



- 1 AMP TRADEMARK (MOLDED IN) .062±.015 HIGH CHARACTERS LOCATED APPROX AS SHOWN
- 2 MOLD CAVITY IDENT (MOLDED IN) .046±.015 HIGH CHARACTERS LOCATED APPROX AS SHOWN
- 3 RECESSED AREA AROUND MOLD GATE IS OPTIONAL. THIS FEATURE IS ALLOWABLE ON EITHER SIDE OF HOUSING OR MAY NOT BE PRESENT AT ALL.
- 4 COORDINATE DIMENSION APPLIES FROM CENTER OF FIRST ACTUAL FEATURE
- 5 RECESSED AREA AROUND GATE PERMISSIBLE. THIS FEATURE IS ALONG CENTERLINE OF MATING FACE.
- 6. WHEN MATING WITH AMP-LATCH UNIVERSAL HEADERS, P/N 1825851-1 MUST BE USED. PURCHASE SEPARATELY WITH HEADER- 2 REQUIRED.



.575	1.280	10	22	1-102387-5
.225	.580	3	8	1-102387-4
1.125	2.380	21	44	1-102387-3
1.625	3.380	31	64	1-102387-2
1.525	3.180	29	60	1-102387-1
1.275	2.680	24	50	1-102387-0
1.025	2.180	19	40	102387-9
.875	1.880	16	34	102387-8
.775	1.680	14	30	102387-7
.675	1.480	12	26	102387-6
.625	1.380	11	24	102387-5
.525	1.180	9	20	102387-4
.425	.980	7	16	102387-3
.375	.880	6	14	102387-2
.275	.680	4	10	102387-1
C	B	A	NO. OF POSN	PART NO.

THIS DRAWING IS A CONTROLLED DOCUMENT.

DWN	B MOYER	5-17-89	Tyco Electronics Corporation Harrisburg, PA 17105-3608
CHK	K. HELM	6-13-89	
APVD	-	-	NAME
DIMENSIONS: INCHES			PRODUCT SPEC
TOLERANCES UNLESS OTHERWISE SPECIFIED:			APPLICATION SPEC
0 PLC	±	-	SIZE
1 PLC	±	-	CAGE CODE
2 PLC	±	-	DRAWING NO
3 PLC	±	.005	RESTRICTED TO
4 PLC	±	-	
ANGLES	±	-	
MATERIAL	FINISH	-	WEIGHT
FLAME RETARDANT THERMOPLASTIC			A2
COLOR: BLACK PER ASTM D4066			00779
CUSTOMER DRAWING			SCALE
			4:1
			SHEET
			1 of 1
			REV
			R2